

# Assembly Instructions

Archer Bed

- Before you begin to assemble your new piece of furniture, please check to ensure that all parts have been supplied.
- Follow instructions closely as deviation from them may void your warranty and present a possible safety risk.
- It is recommended that assembly is done on a soft surface like carpet to avoid any damage.
- If you experience any problems with your new purchase please phone our Customer Service Hotline 1800 807 416 (Customers outside Australia should contact their closest Freedom store.)

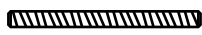
## Care Information

Periodically check and re-tighten any fasteners. Wipe down all surfaces weekly with a clean cloth. Do not clean any surfaces with harsh abrasives or chemicals.

## Hardware



8xPart A



8xPart B



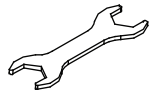
8xPart C



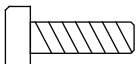
8xPart D



4xPart E



1xPart F



8x part ①



8xpart ②



16xpart ③



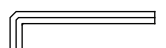
8xPart ④



8xPart ⑤



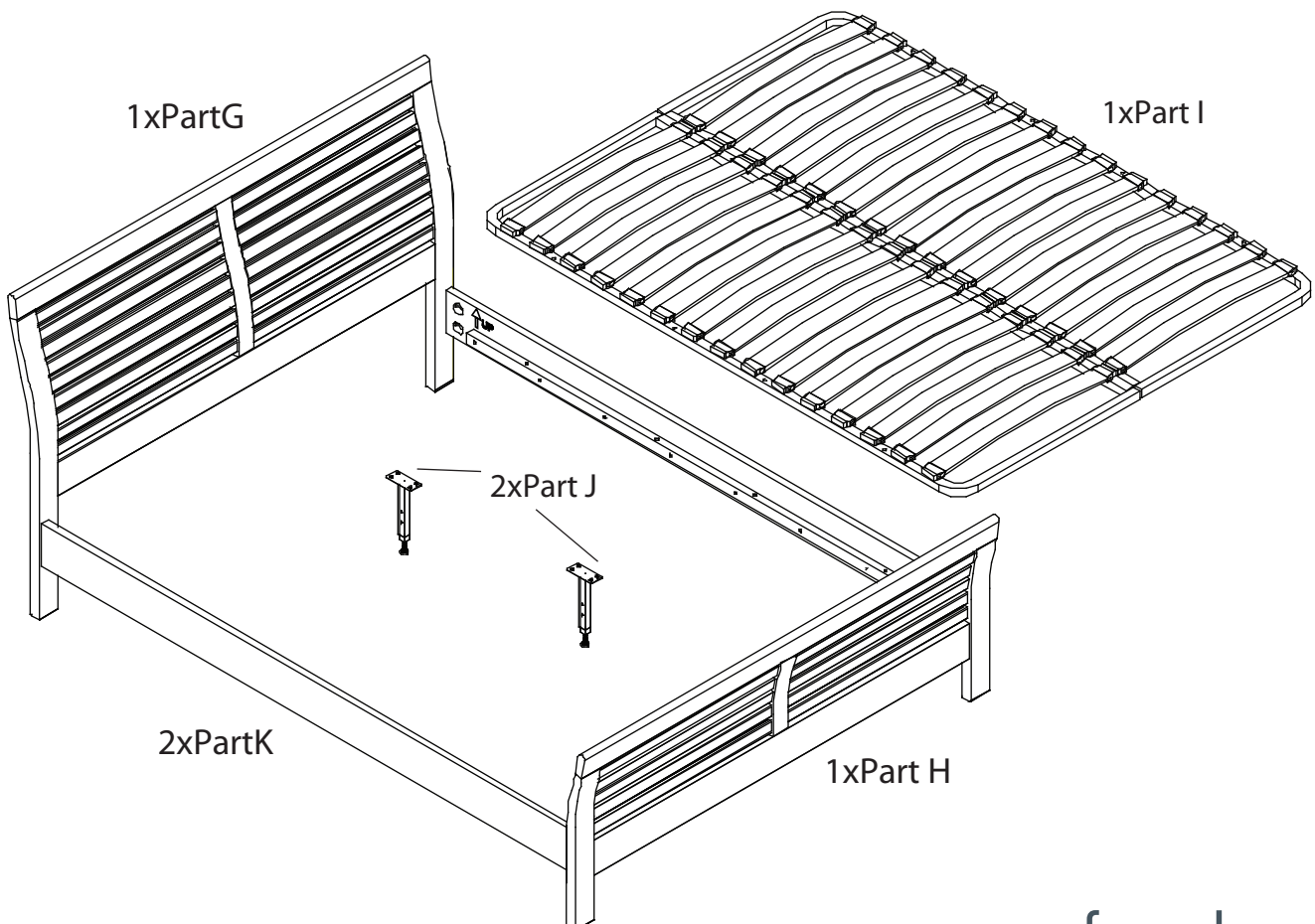
1xPart ⑥



1xPart ⑦

These hardware were packed into posture slats carton.

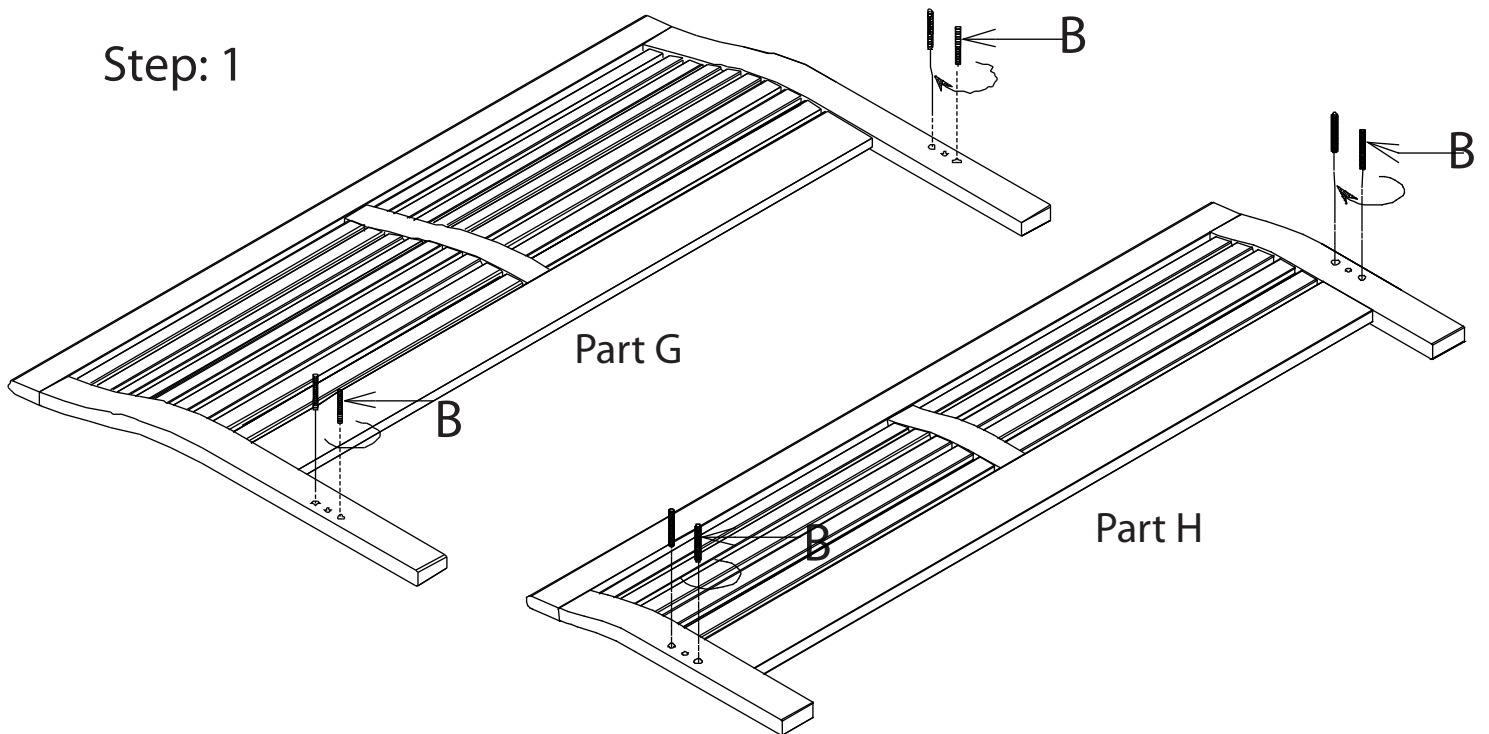
## Parts



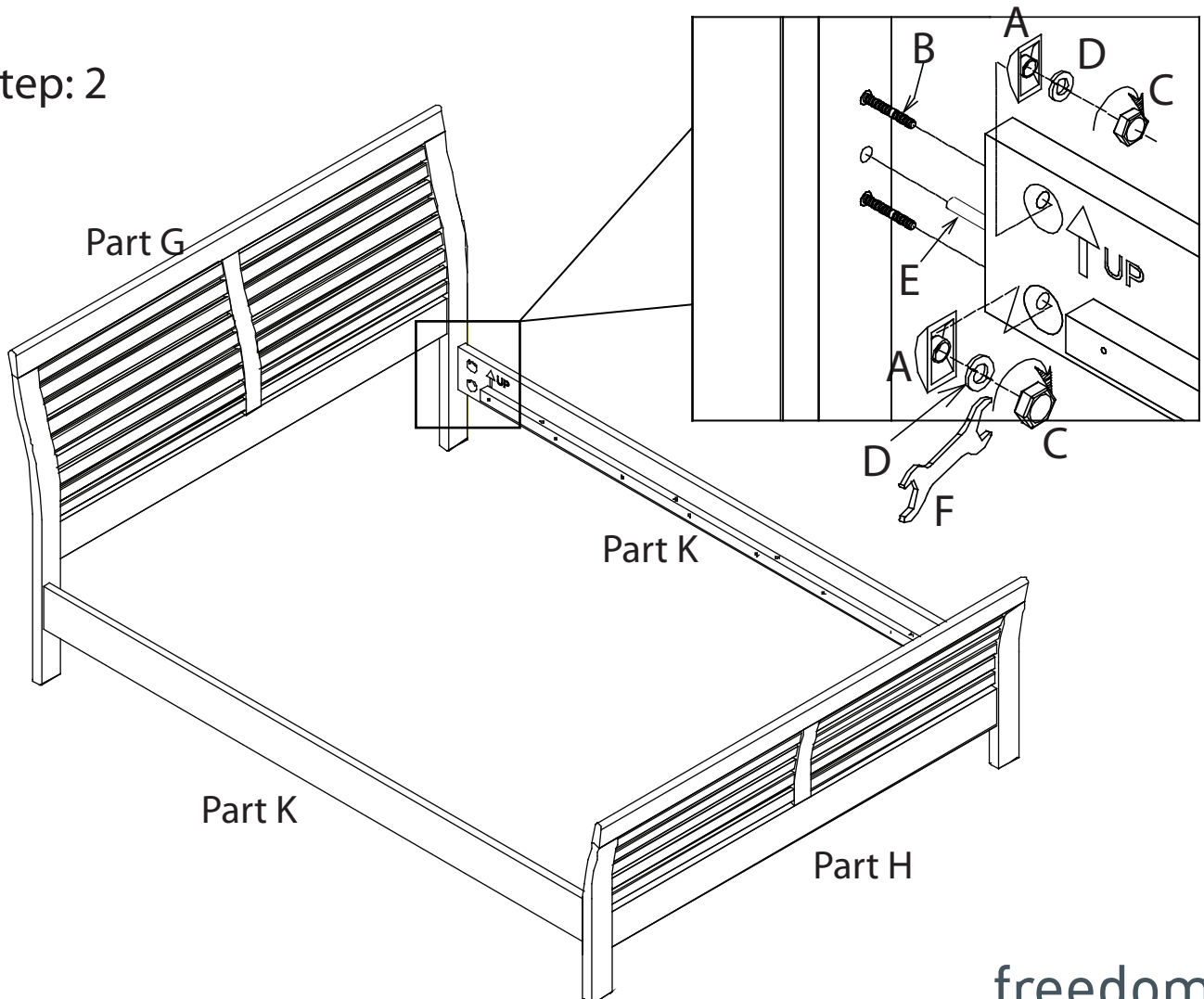
# Assembly Instructions

Archer Bed

Step: 1



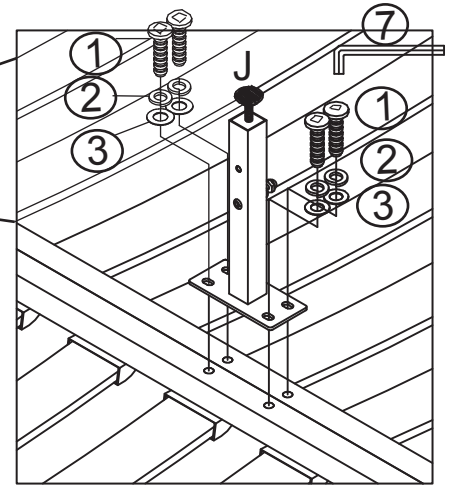
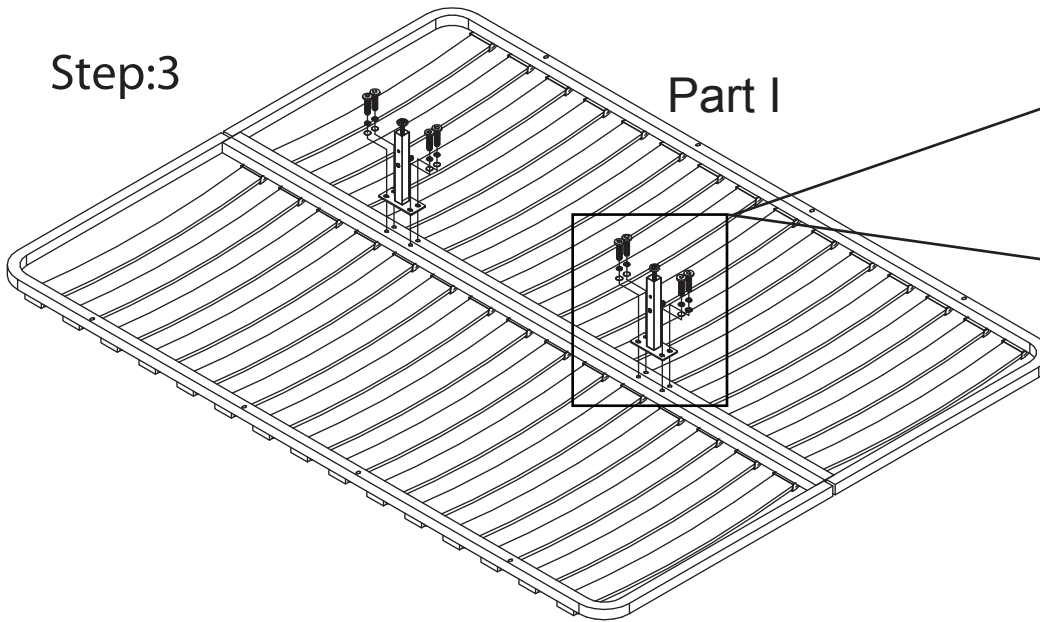
Step: 2



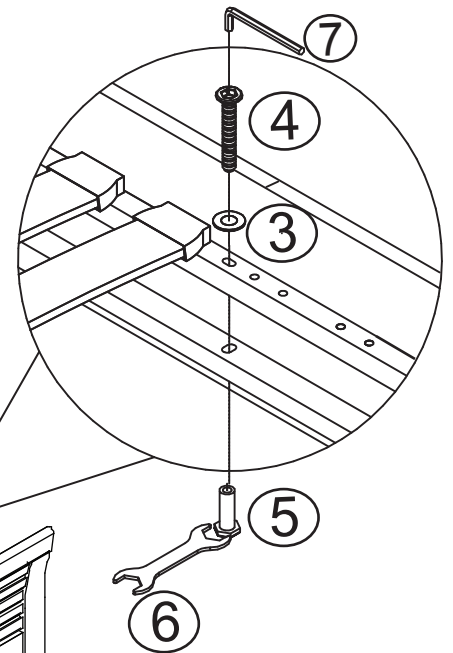
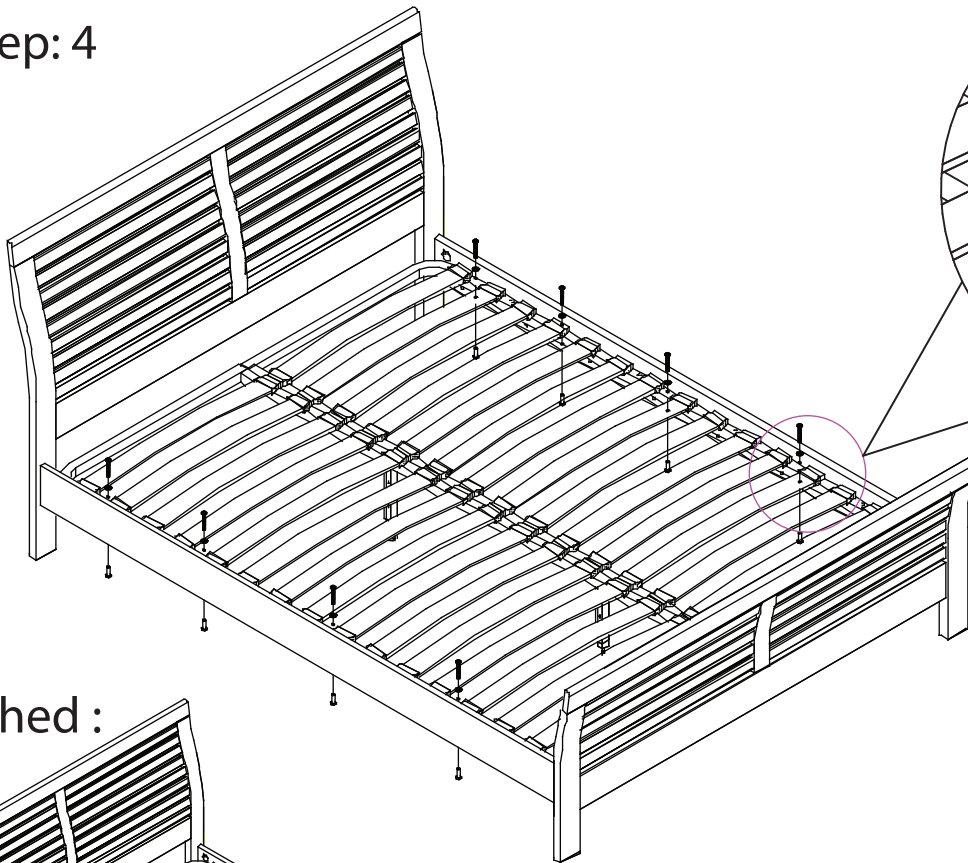
# Assembly Instructions

Archer Bed

Step:3



Step: 4



Finished :

